

GALVAPLY ROOF SYSTEM

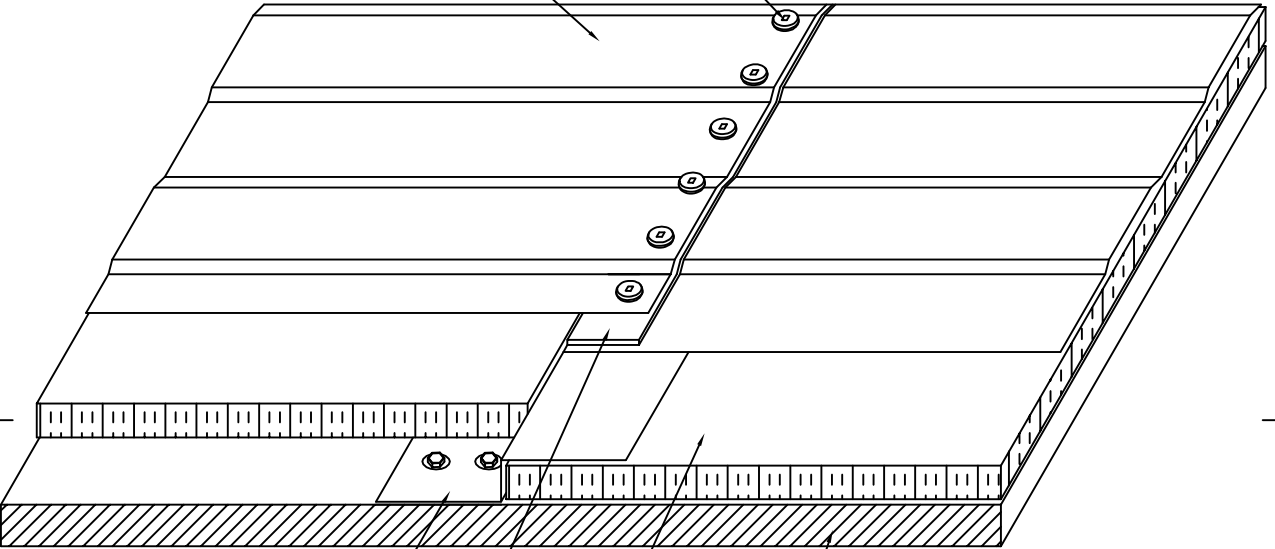
A
B
C
D
E
F

A
B
C
D
E
F

1 2 3 4

GALVAPLY SEAM FASTENER
1-1/2" OC (TYP)

GALVAPLY PANEL



GALVAPLY ZEE CHANNEL

BUTYL TAPE

RIGID INSULATION

SOLID SUBSTRATE

This drawing and the specifications contained herein are confidential and proprietary. They are the property of Crego Metal Systems, Inc. and shall not be reproduced, copied or used in whole or in part for any purpose without written permission. This is an unpublished work protected under the federal copyright laws.

SYSTEM ASSEMBLY

File name GPLY-S001	Date 01/19/07	Scale NTS	Edition 0	Sheet 1/1
------------------------	------------------	--------------	--------------	--------------

1

4