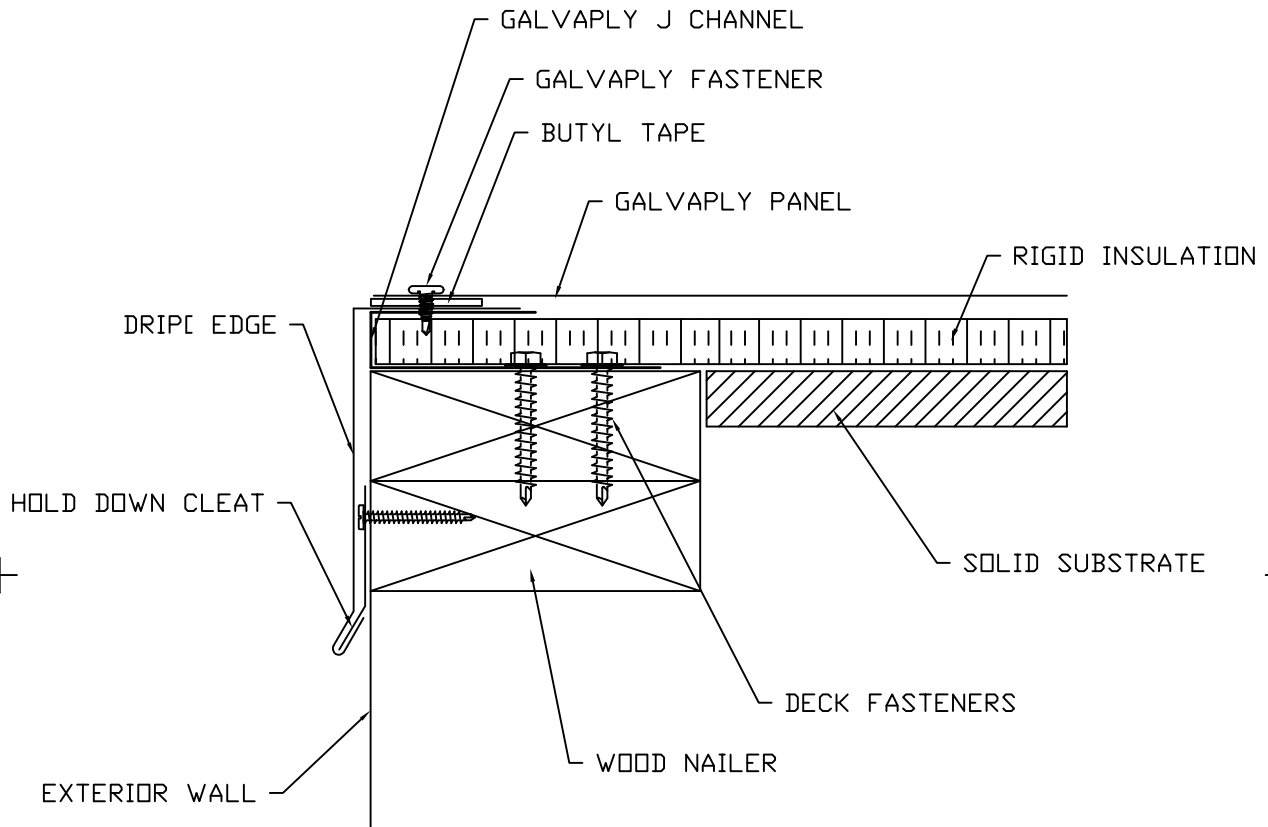


GALVAPLY ROOF SYSTEM



This drawing and the specifications contained herein are confidential and proprietary. They are the property of Crego Metal Systems, Inc. and shall not be reproduced, copied or used in whole or in part for any purpose without written permission. This is an unpublished work protected under the federal copyright laws.

DRIP EDGE

File name	Date	Scale	Edition	Sheet
GPLY-S005	04/06/08	NTS	1	1/1